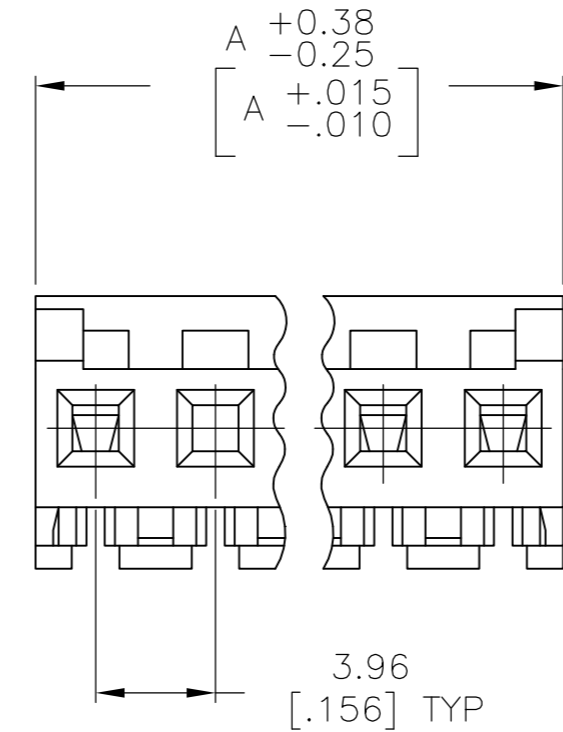
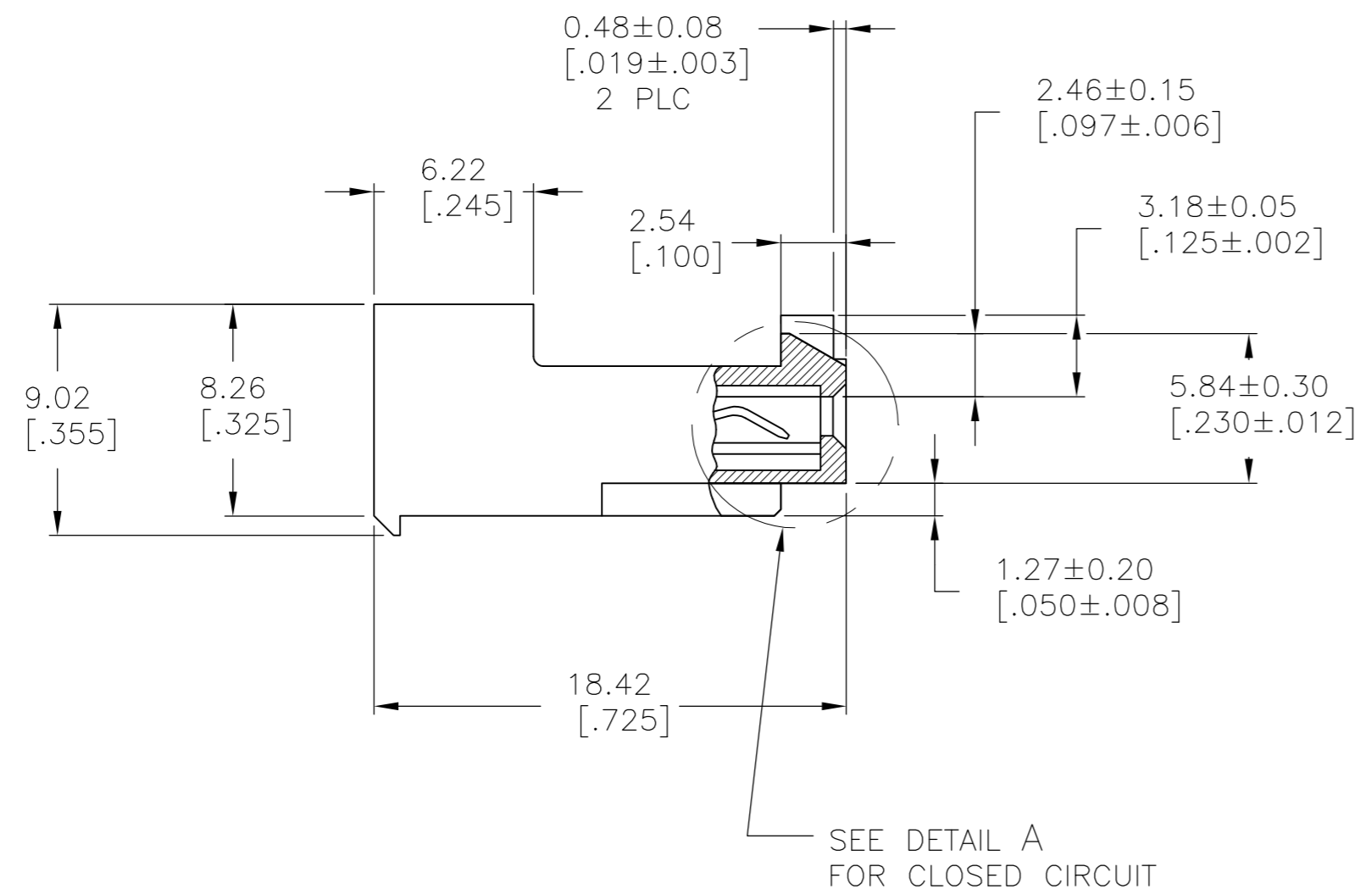
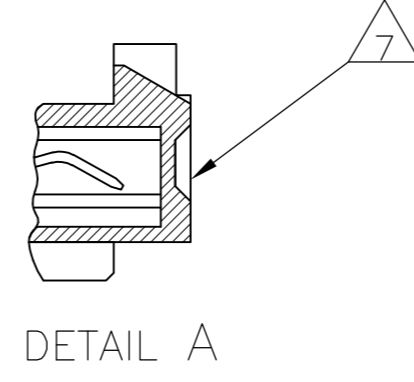
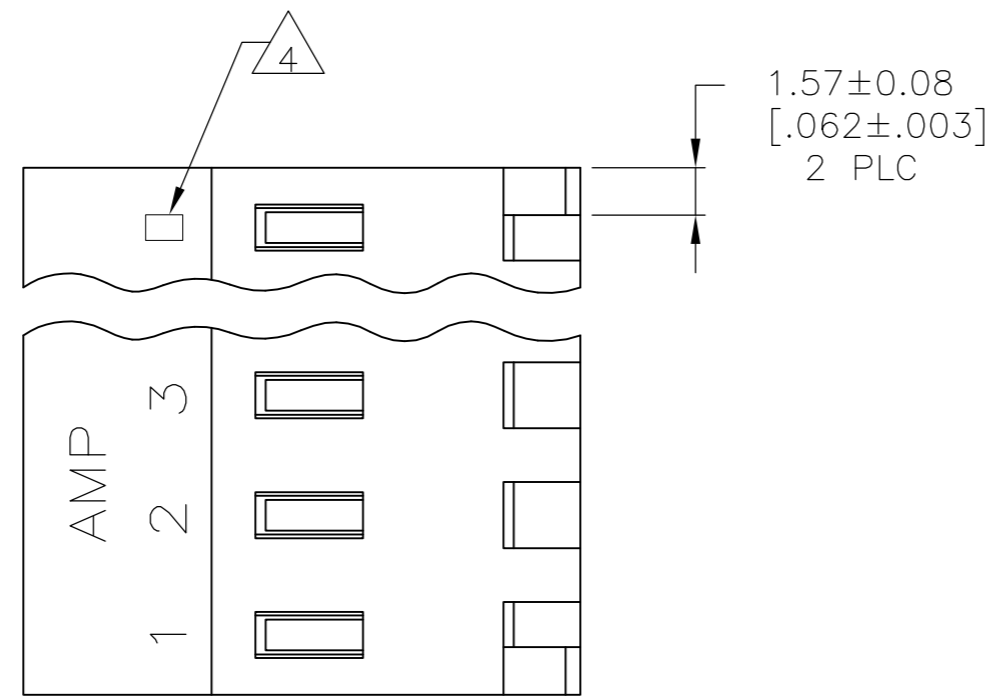


THIS DRAWING IS UNPUBLISHED. RELEASED FOR PUBLICATION
 © COPYRIGHT BY TYCO ELECTRONICS CORPORATION. ALL RIGHTS RESERVED.

LOC	DIST	REVISIONS					
CM	00	P	LTR	DESCRIPTION	DATE	DWN	APVD
		R		ECO-07-012896	25JUN07	KW	DB



SEE DETAIL A FOR CLOSED CIRCUIT

- 1 MATERIAL: CONNECTOR - NYLON UL94V-2 (RED).
CONTACTS - 0.30[.012] THICK COPPER ALLOY BRIGHT TIN-LEAD
0.00203[.000080] MIN THICK FOR -2 THRU -28
- 0.30[.012] THICK COPPER ALLOY MATTE WHISKER
MITIGATED TIN 0.00203[.000080] MIN THICKNESS
OVER NICKEL UNDERPLATE FOR -32 THRU -58.
- 2. CONTACTS ACCEPT 22 AWG WIRE WITH 2.41[.095] MAX INSULATION DIAMETER.
- 3. CONTACTS MUST ACCEPT 1.14±0.03[.045±.001] POST AND REMAIN LOCKED IN POSITION.
- 4 IDENTIFICATION NUMBER FOR LAST CIRCUIT MAY NOT APPEAR ON ALL ASSEMBLIES.
- 5. DIMENSIONS IN BRACKETS ARE IN INCHES.
- 6. HOUSING FEATURES ARE: CLOSED END WITH LOCKING RAMP AND POLARIZING TAB.
- 7 DETAIL "A" SHOWS A CIRCUIT MOLDED CLOSED.

FINISH	DIM A	NO. OF CIRCUITS	PART NO.
TIN	31.70 [1.248]	8	3-643274-8
TIN	23.77 [.936]	6	3-643274-6
TIN	15.85 [.624]	4	3-643274-4
TIN-LEAD	31.70 [1.248]	8	643274-8
TIN-LEAD	23.77 [.936]	6	643274-6
TIN-LEAD	15.85 [.624]	4	643274-4

METRIC

THIS DRAWING IS A CONTROLLED DOCUMENT.

DWN B. LEWIS 12FEB91	Tyco Electronics Corporation Harrisburg, PA 17105-3608	NAME	RESTRICTED TO	
CHK R. SWING 12FEB91		MTA-156 CONNECTOR ASSEMBLY, 22 AWG, NO.2 CIRCUIT CLOSED.		
APVD D. CLARK 20FEB91		SIZE A2	CAGE CODE 00779	DRAWING NO C-643274
PRODUCT SPEC 108-1051		SCALE 4:1	SHEET 1 OF 1	REV R

APPLICATION SPEC 114-1020

WEIGHT -

CUSTOMER DRAWING